

# chatpod 700

Four-Seater Meeting Pod



# chatpod 700

Four-Seater Meeting Pod

**chatpod 700** is a flexible four-seater office meeting pod ideal for small team meetings – expanded to a six-seater room-in-room solution if needed.

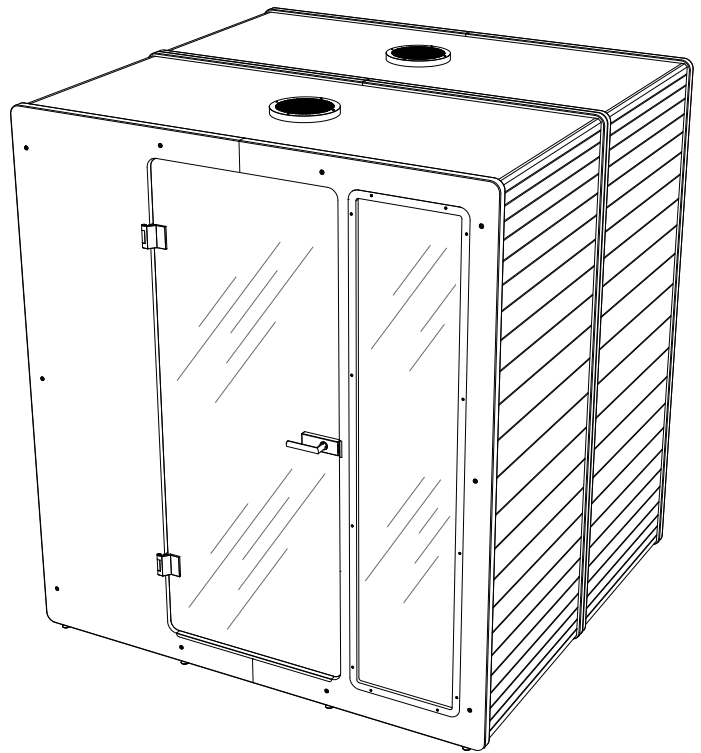
**chatpod** is a Circular product, made of 97% post-consumer content and 100% recyclable. In the Swiss Alps, we manufacture chatpod together with local handicap professionals. The upcycled materials we use to build our pods such as cardboard, plastic bottles, sawdust, and recycled rubber can be recycled at the end of its life.

## ARTICLE NUMBER

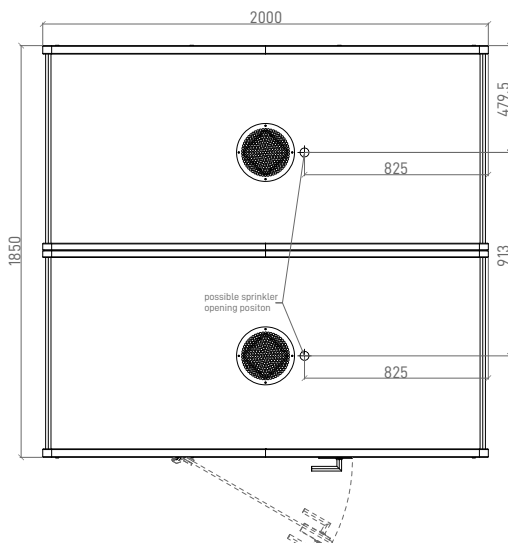
961.13.442.000.00

## DIMENSIONS

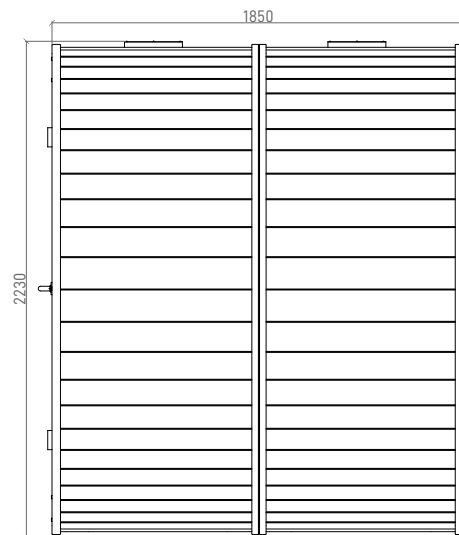
Width:	2000 mm	78.74"
Depth:	1850 mm	72.83"
Height:	2230 mm	87.79"
Weight:	700 kg	1543.24 lb



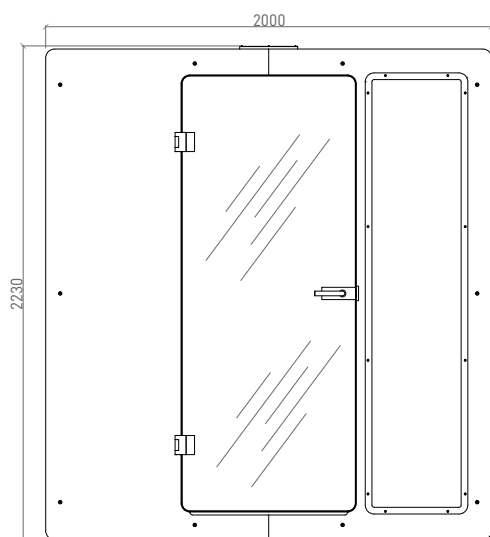
**PLAN**



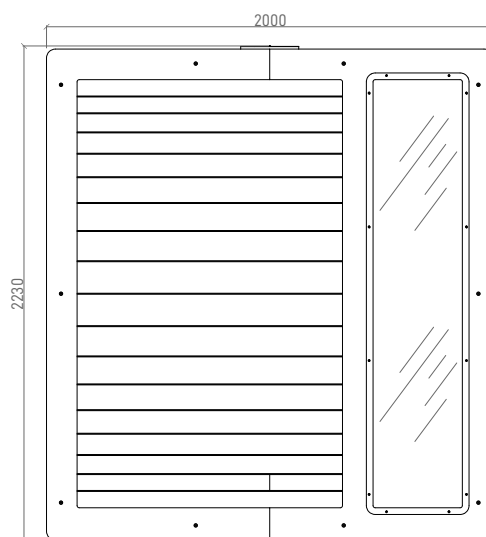
**SIDE**



**FRONT**



**BACK**



## EXTERIOR

### FRAME

Organic dyed fibreboard (anthracite) made from sustainable managed and controlled raw materials.

### GLASS

Soundproof safety glass laminated glass with 30% tint for extra privacy.

### ACOUSTIC CLADDING

ARCHISONIC® 24 mm acoustic panel (Cradle to Cradle Certified and LEED Accredited) made from upcycled plastic bottles in 25 colours.

## INTERIOR

### CHASSIS

Cardboard is extremely pressure-resistant, rigid, dimensionally stable made of 100% recycled pulp.

### ACOUSTIC CLADDING

ARCHISONIC® 24 mm acoustic panel (Cradle to Cradle Certified and LEED Accredited) made from upcycled plastic bottles. 442 Smoke.

### METAL SHEET

White writable magnetic metal sheet.

### FLOOR

Anthracite needelfelt carpet (1300 g/m<sup>2</sup>) on a chipboard.

## TECHINICAL

### VENTILATION

The air enters from ventilation duct at the top of the pod and exits under the pod. The air circulation is 180 m<sup>3</sup>/h.

### LIGHT

The light is specifically designed by Bartenbach for **chatpod**.

LED 475 lm, 4000 K, 6 W

Energy efficiency A - A++

life span > 50'000 h

UGR < 16, CRI >80

### POWER

A standard power outlet is able to activate the electrical components in the pod.

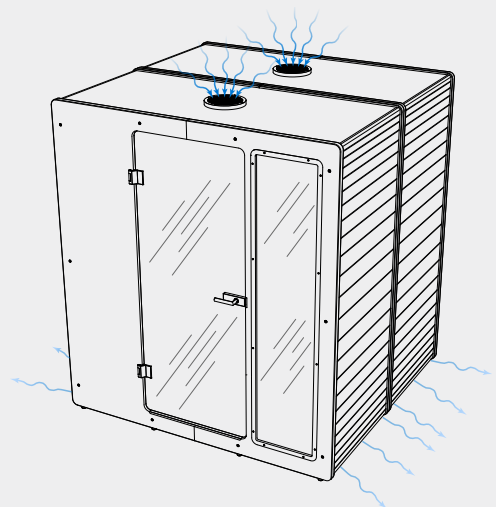
Input voltage: 250 V~ / 50 Hz

No-load power consumption : ~ 0.7 W

Load power consumption: ~ 8 W

Output voltage (USB-charger): UA: 5 VDC ± 5%

Output current (USB-charger) IA: 2,100 mA (max.)



## GENERAL INFORMATION

### FIRE SAFETY

The fire safety of all surface and acoustic material of the Chatpod® are tested and classified to international standards. Frame (B-s2, d0) and ARCHISONIC® cladding (B-s1, d0) are according to EN 13501-1 certified. The flooring with Bfl-s1. Sprinkler and smoke detector outlets can be added when required.

### CLEANING

Vacuum cleaner; Stains using commercially available carpet/upholstery cleaner. For persistent stains, hydrogen peroxide (35%) can also be used.

### INSTALLATION

Chatpod® comes flat-packed and can be easily installed by two people. The electrical part (light, ventilation, motion sensor, power outlet and usb-charger) are pre-assembled and are ready to plug in.

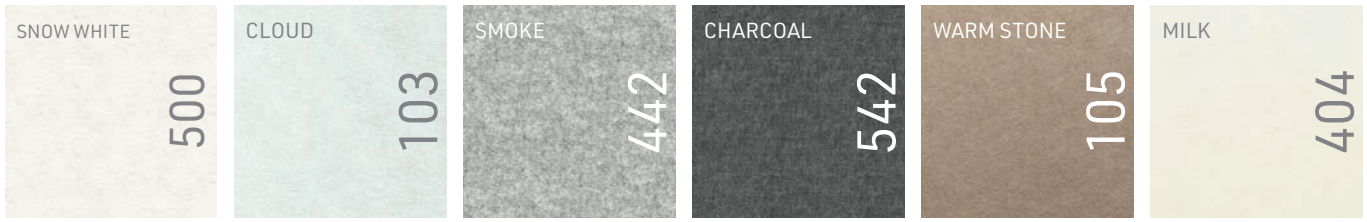
### GUARANTEE

Wear parts (including LED lighting, ventilation, motion detectors, electrical parts, hinges and door handle) are covered by a two-year limited warranty. All wearing parts are easily changeable and can be reordered and replaced if defective.



# ARCHISONIC® colour collection for exterior cladding

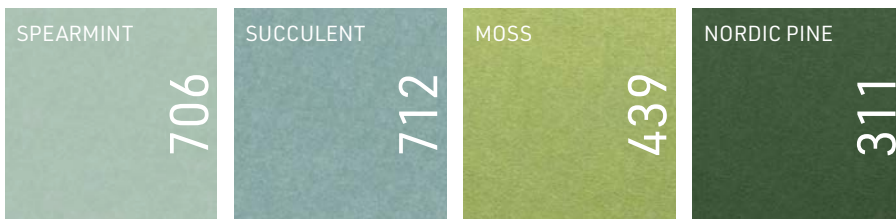
## quiet neutrals



## warm naturals



## living greens



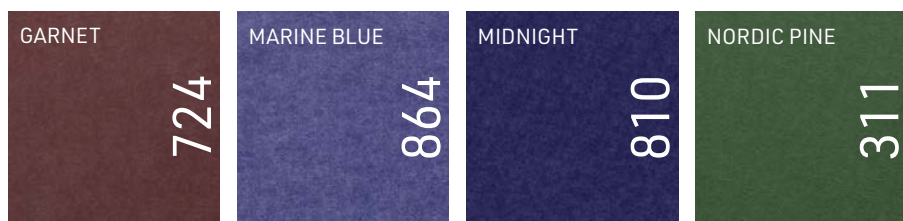
## elemental blues



## soothing pastels



## elegant darks



## energetic brights



## primary play



## acoustic cladding technical data

### FIRE PROTECTION TEST

DIN EN 13501-1 B-s1, d0  
ASTM E-84 Class A

### VOC-EMISSION

CDPH 01350 Pass  
ISO 16000 (CDPH/EHLB/Standard  
Method V1.2.)

EN 16516

### COLOUR FASTNESS

EN ISO 105-B02, A1 Grade 6

### MICROBIAL RESISTANCE

ASTM G21-15  
Growth rating: 0 (no growth)  
ARCHISONIC® does not provide a  
breeding ground for the growth of mould  
and mildew.

## COMPOSITION

100% PET (min. 60% post-consumer)

## FIRE TEST

DIN EN 13501-1  
ASTM E-84

B-s1, d0  
Class A

## VOC EMISSION

CDPH 01350  
ISO 16000  
EN 16516

Pass  
(CDPH/EHLB/Standard Method V1.2.)

## COLOUR FASTENESS

EN ISO 105-B02, A1

Grade 6

## SOUND ABSORPTION

DIN ISO 11654

24 mm      aw 0.55 (no airgap)

## MATERIAL REUTILISATION

ARCHISONIC® 24 mm

88 plastic bottles/m<sup>2</sup>

## ENVIRONMENTAL

Cradle to Cradle Certified™

Product qualifies for LEED v4 specifications on VOC emissions in LEED EQ credit (Low-emitting products)



## SUPPORTED BY

Climate KIC

